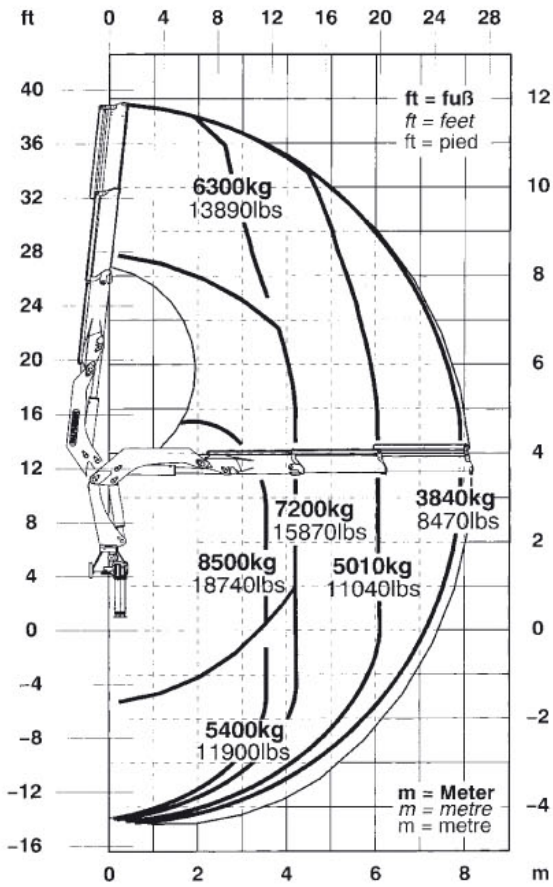


PK 32080

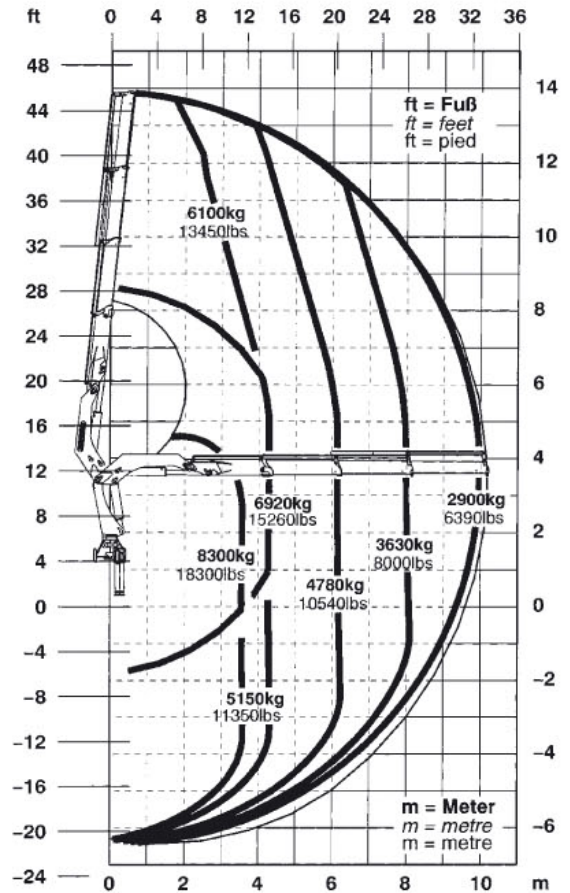
PALFINGER



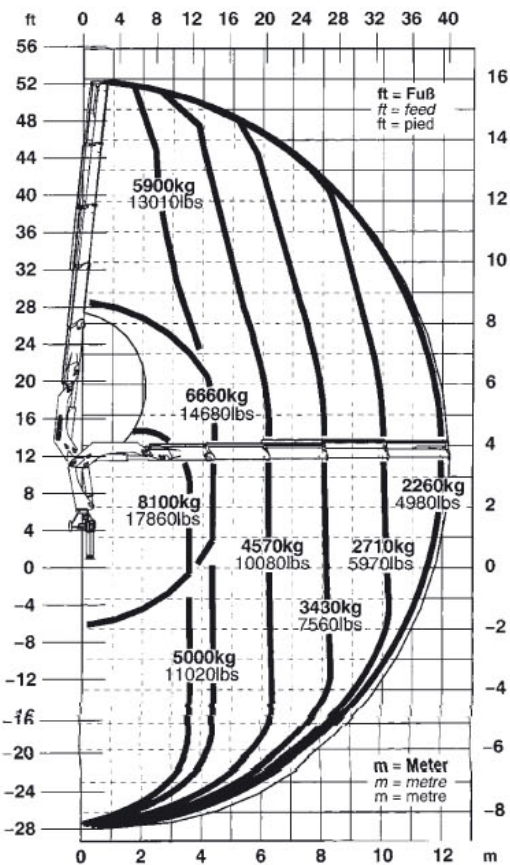
PK 32080 A



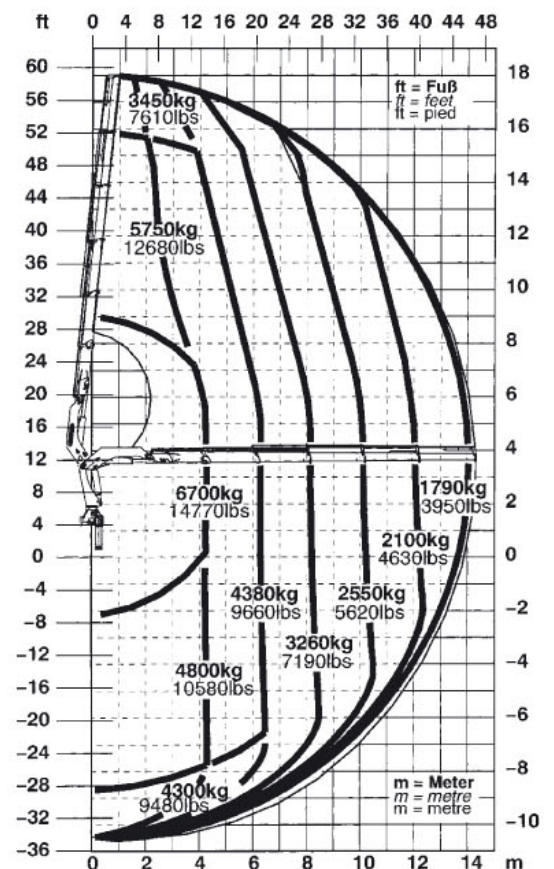
PK 32080 B



PK 32080 C



PK 32080 D



Technical specifications (DIN 15018 H1-B3):

PK 32080

Max. lifting moment	219880 ft.lbs/30.4 mt	
Max. lifting capacity	18740 lbs/8500 kg at	11' 6" 3.5 m
Max. hydraulic outreach	46' 11"	14.3 m
Maximum outreach	68' 11"	21.0 m
Maximum outreach (with Fly-jib)	81' 8"	24.9 m
Slewing angle	400°	

Standard crane:

Slewing torque	27490 ft.lbs/3.8 mt	
Outreach	26' 7"	8.1 m
Stabilizer spread	standard	19' 8" 6.0 m
	maximum	19' 8" 6.0 m
Fitting space required	3' 3"	0.97 m
Width folded	8' 3"	2.5 m
Operating pressure	4350 psi	300 bar
Recommended pump capacity	12.1-17.6 imp.gal./min (14.5-21.1 US gal./min)	from 55 l/min to 80 l/min
Recommended pump capacity with radio remote control and LS-System	17.6 imp.gal./min (21.1 US gal./min)	80 l/min
Dead weight (without mounting parts, pump and oil)	6900 lbs	3130 kg

Max. lifting capacities:

Outreach	Capacity
----------	----------

PK 32080 A

hydraulic			
3.5 m	8500 kg	11' 6"	18740 lbs
4.2 m	7200 kg	13' 9 1/2"	15875 lbs
6.0 m	5010 kg	19' 8"	11045 lbs
7.9 m	3840 kg	25' 11"	8465 lbs

PK 32080 B

hydraulic			
3.6 m	8300 kg	11' 10"	18300 lbs
4.3 m	6920 kg	14' 2"	15255 lbs
6.1 m	4780 kg	20' 1/4"	10540 lbs
8.0 m	3630 kg	26' 3"	8000 lbs
9.9 m	2900 kg	32' 6"	6395 lbs

manual			
11.9 m	2340 kg	39' 1/2"	5160 lbs
14.0 m	1920 kg	46' 11"	4230 lbs
16.2 m	1300 kg	53' 2"	2870 lbs
18.4 m	900 kg	60' 8 1/2"	1980 lbs
20.8 m	600 kg	68' 3"	1320 lbs

Outreach	Capacity
----------	----------

PK 32080 C

hydraulic			
3.6 m	8100 kg	11' 10"	17860 lbs
4.4 m	6600 kg	14' 5"	14550 lbs
6.2 m	4570 kg	20' 4"	10070 lbs
8.0 m	3430 kg	26' 3"	7560 lbs
10.0 m	2710 kg	32' 10"	5970 lbs
11.9 m	2260 kg	39' 1/2"	4980 lbs

manual			
14.0 m	1760 kg	45' 11"	3880 lbs
16.2 m	1300 kg	53' 2"	2870 lbs
18.4 m	900 kg	60' 8 1/2"	1980 lbs
20.8 m	600 kg	68' 3"	1320 lbs

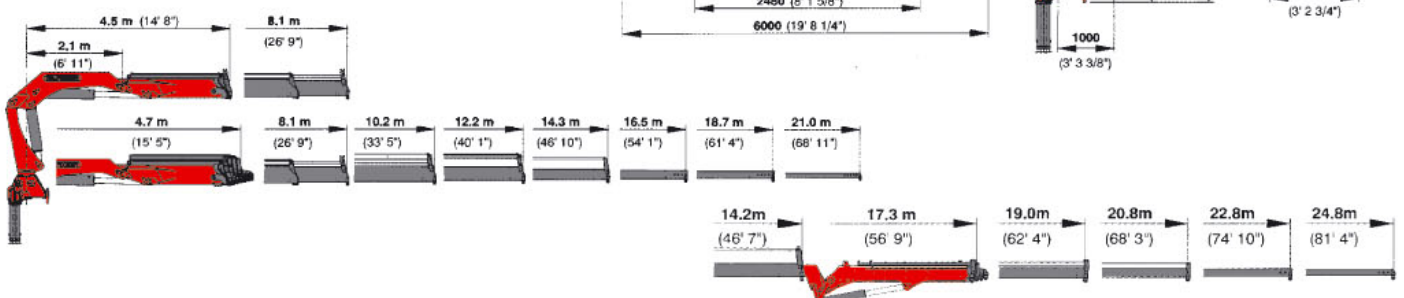
Outreach	Capacity
----------	----------

PK 32080 D

hydraulic			
4.3 m	6700 kg	14' 1 1/2"	14770 lbs
4.4 m	6420 kg	14' 5"	14150 lbs
6.3 m	4380 kg	20' 9"	9660 lbs
8.1 m	3260 kg	26' 7"	7190 lbs
10.1 m	2550 kg	33' 1 1/2"	5620 lbs
12.0 m	2100 kg	39' 4 1/2"	4630 lbs
14.0 m	1790 kg	45' 11"	3930 lbs

manual			
16.1 m	1300 kg	53' 0"	3265 lbs
18.4 m	900 kg	60' 4"	2425 lbs
20.7 m	600 kg	67' 11"	1320 lbs

The reaches are indicated for a 20° main boom position and are therefore not the maximum ones.





Executions shown in the leaflet are not always corresponding to standard execution.



Made by PALFINGER

We reserve the right to change design and specification without prior notice. 10/02